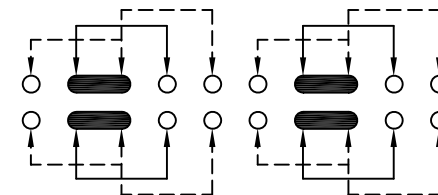
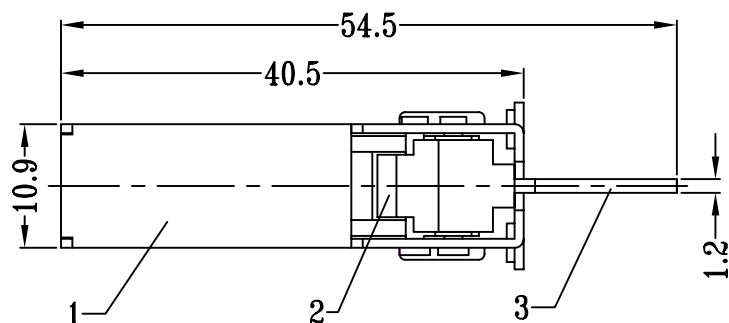
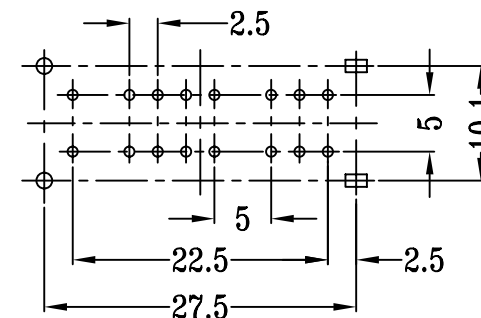
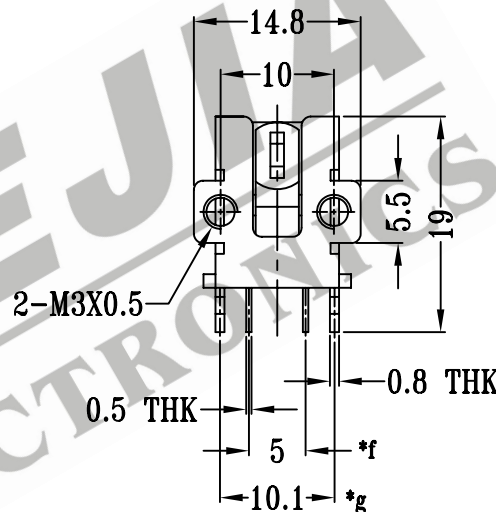
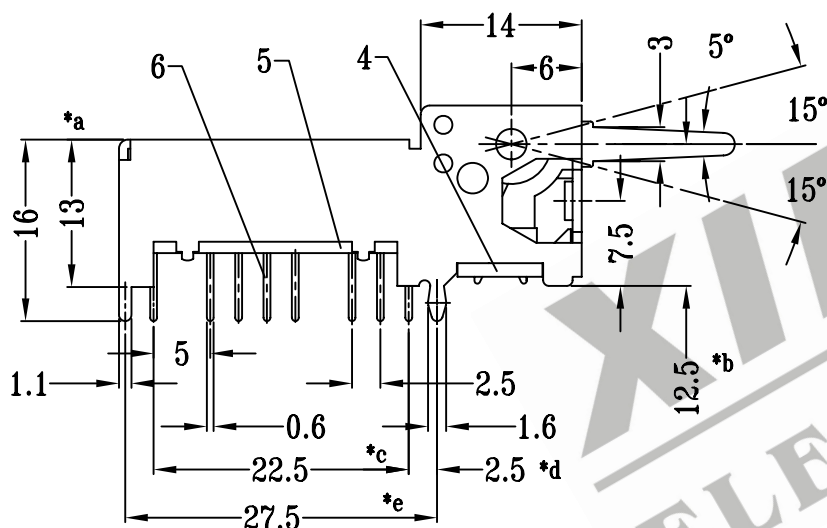


CAD FILE:



SHEMATIC (NON-SHORTING)



P.C.B LAYOUT

11	CONTACT CLIP	PBS STRIP	4	Ag PLATED
10	SLIDER	POM	1	BLACK
9	SPRING	STEEL WIRE	1	TEMPER
8	RIVET	COPPER	2	Ni PLATED
7	STEEL BALL	STEEL	1	NATURAL
6	TERMINAL	BRASS STRIP	16	Ag PLATED OVER Ni PLATED
5	BASE	PHENOLIC RESIN	1	NATURAL
4	POSITION PLATE	POM	1	BLACK
3	STEEL KNOB	STEEL STRIP	1	Ni PLATED
2	KNOB	POM	1	BLACK
1	FRAME	STEEL STRIP	1	Ni PLATED
NO.	PART NAME	MATERIAL	Q'TY	FINISHING

TOLERANCE UNLESS SPECIFIED		SHENZHEN XIEJIA ELECTRONICS CO.,LTD.		
WITHIN: 1.5±0.1mm		ISSUE	DATE	DESCRIPTIONS
OVER : 1.5±0.2mm		APPD.		
TITLE : TOGGLE SWITCH		UNIT : MM	DRWG NO.: XJ-DR-LS43E01-00	
MODEL: LS-43E01		SCALE: 3:2	DWN.	ZHOUYU 2001-9-23
ALL MATERIALS MUST BE COMPLIANT TO ROHS			CHK'D	FANGYING 2001-9-23
			APPD.	KANGXINAN 2001-9-23

注:带"\*"表示关键尺寸(7个)